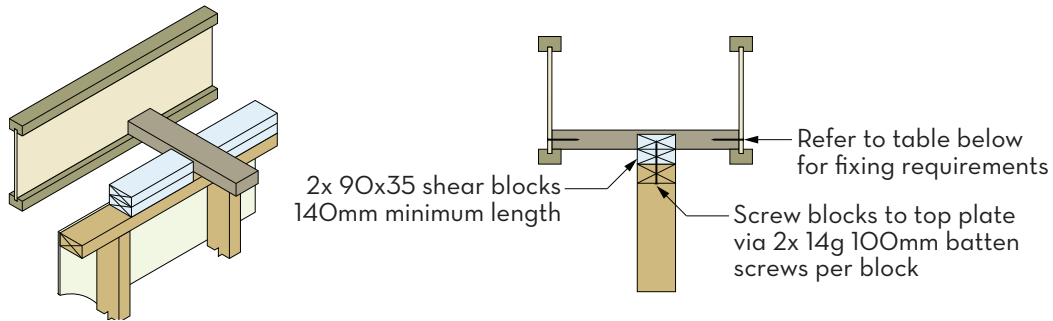
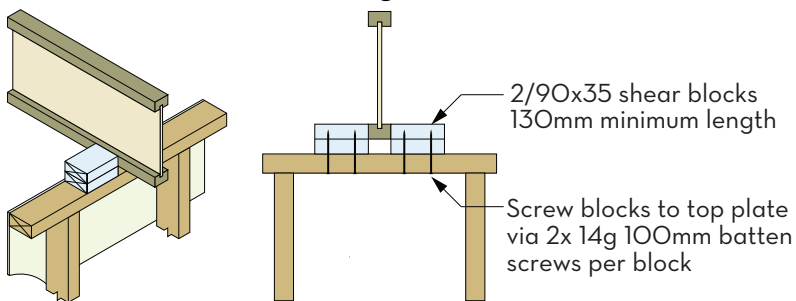


Lower Bracing Wall to Underside of Floor Joists - Parallel

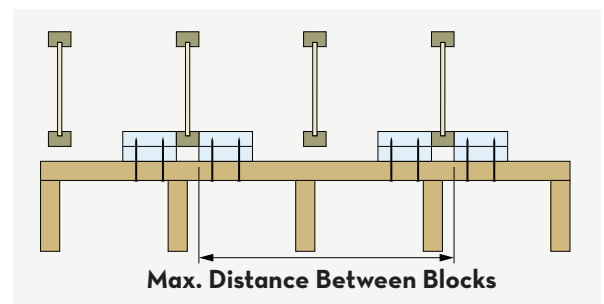
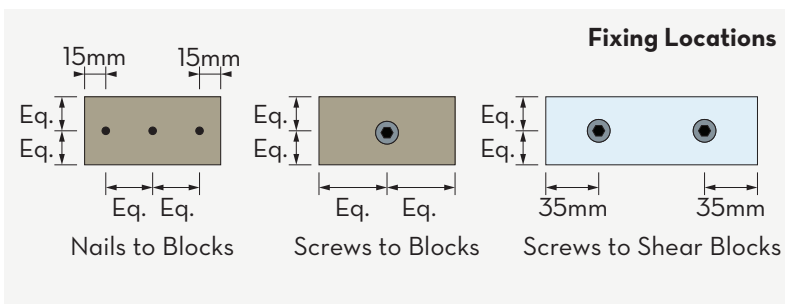


Lower Bracing Wall to Underside of Floor Joists - Parallel								
Max. Block Spacing	0.9m				1.2m			
Bracing Wall Capacity kN/m	Minimum Block Size	Fixings Per Side			Minimum Block Size	Fixings Per Side		
		Size	Type	Qty		Size	Type	Qty
3.0	90x35	2.8x50mm	Nail	3	90x35	2.8x50mm	Nail	3
3.4	90x35	2.5x50mm	Nail	3	90x35	2.8x50mm	Nail	3
6.0	120x35	2.8x50mm	Nail	4	140x35	2.8x50mm	Nail	5
	90x63	14gx75mm	Screw	1	90x63	14gx75mm	Screw	1
6.4	120x35	2.5x50mm	Nail	3	140x35	2.8x50mm	Nail	6
	90x63	14gx75mm	Screw	1	90x63	14gx75mm	Screw	1

Lower Bracing Wall to Underside of Floor Joists - Perpendicular



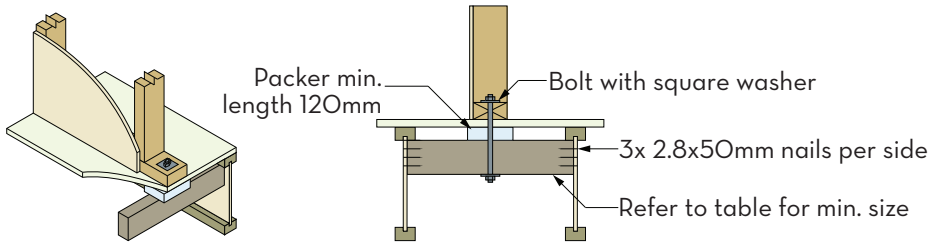
Bracing Wall Capacity kN/m	Max. Distance between Blocks
3.0	1.2m
3.4	1.2m
6.0	1.2m
6.4	1.2m
8.7	0.9m



NOTES:

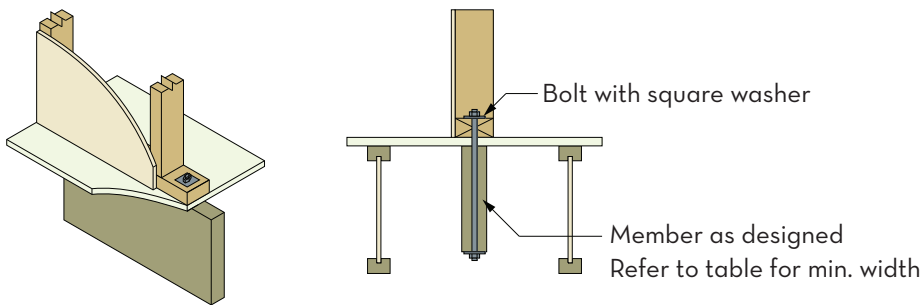
1. Values based on timber framing with a joint group of JD5 or greater
2. Fixing Blocks to fit snug in between Shear Blocks
3. 14g x100mm Batten Screw based on using 2x 35mm shear blocks through a 35mm top plate. Where wider members are used increase the length of the screw by the same length
4. Floor Joists to be installed and fixed in accordance with appropriate installation guide and AS1684
5. Designs derived from information available in AS1720.1 and AS1684.2

Upper Bracing Wall to I-Joists below - Perpendicular & Parallel



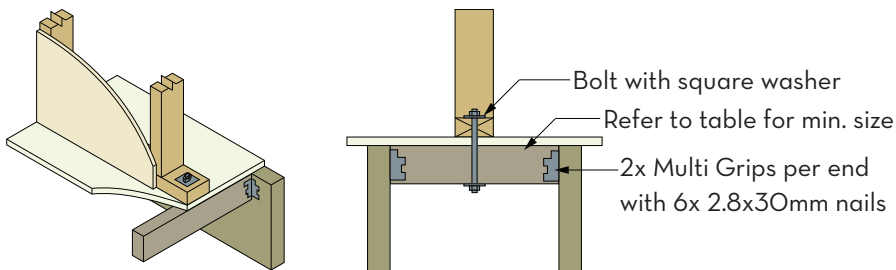
Bolt Size	Block Size	Max. Uplift kN
M10	90x45	10.0
M12	2/90x35	11.0

Upper Bracing Wall to LVL Joists below - Perpendicular & Parallel - Type (b)



Bolt Size	Min Joist Width	Max. Uplift kN
M10	45mm	12.0
M12	63mm	16.0

Upper Bracing Wall to LVL Joists below - Perpendicular & Parallel - Type (c)



Bolt Size	Block Size	Max. Uplift kN
M10	90x45	12.0
M12	2/90x35	15.0

Uplift Forces at Ends of Bracing Walls (kN)					
Bracing Wall Height	Bracing Wall Capacity (kN/M)				
	1.5	3.0	3.4	6.0	6.4
2400	3.6	7.2	8.2	14.4	15.4
2700	4.1	8.1	9.2	16.2	17.3
3000	4.5	9.0	10.2	18.0	19.2

NOTES:

1. Values based on timber framing with a joint group of JD5 or greater
2. Fixing Blocks to fit snug in between Shear Blocks
3. Floor Joists to be installed and fixed in accordance with appropriate installation guide and AS1684
4. Designs derived from information available in AS1720.1 and AS1684.2
5. Refer to AS1684.2 for more information of bracing types and intermediate fixing detail requirements
6. Where intermediate fixings are required in the form of an M10 bolt at 1200mm centres any of the above details are acceptable