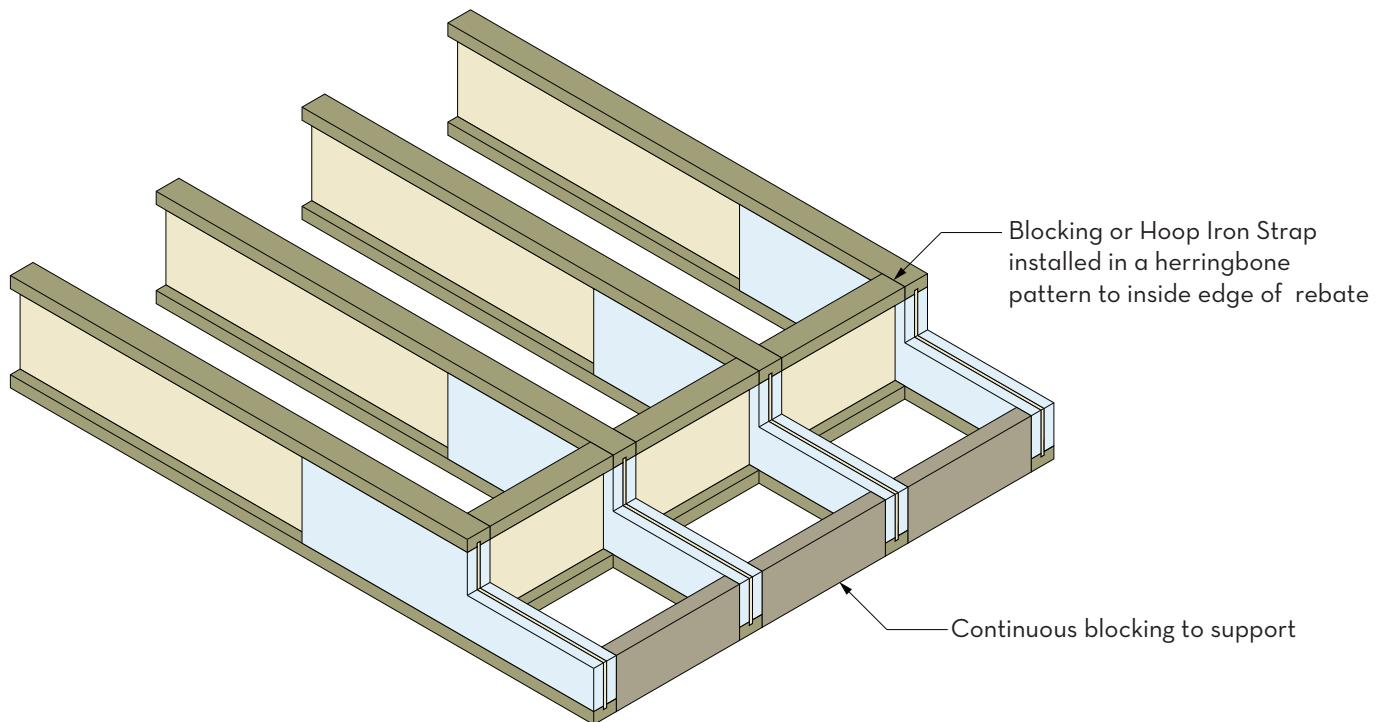
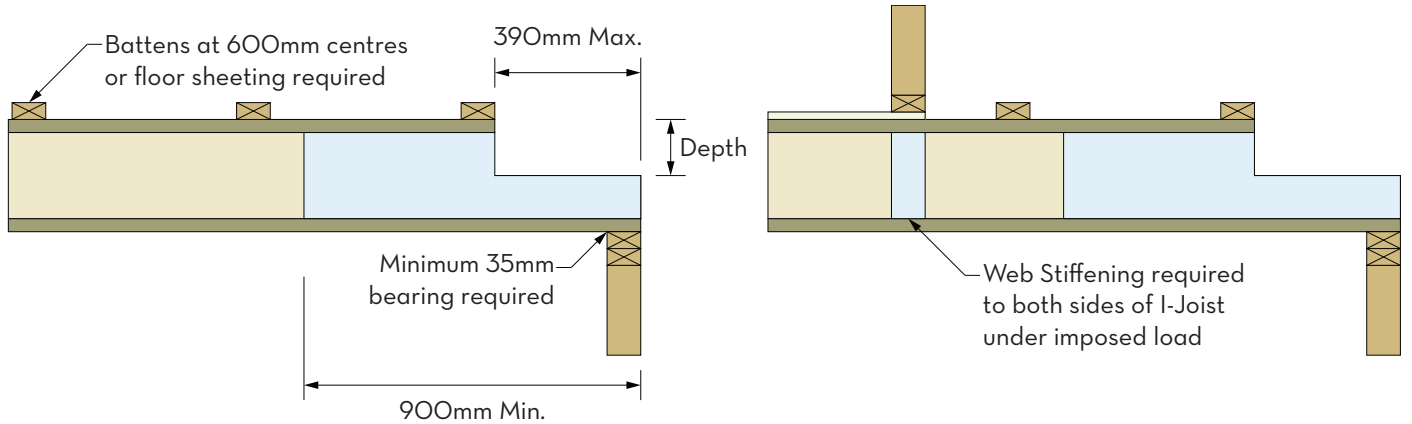


Spec Rim LVL E12 or F11 Plywood to be glued and fixed to both sides with 75x3.15 Nails to be driven staggered from both sides in alternate locations at 150mm centres with Builders Adhesive.



Box Gutter Requirements				
Joist Depth	240mm	300mm	360mm	400mm
Max. Box Gutter Depth	90mm	150mm	150mm	200mm
Max. Shear at Support	7.0 kN	8.0 kN	12.0 kN	12.0 kN

NOTES

1. Stiffening fixed via 3 rows of 75x3.05mm framing nails clinched at 150mm ctrs with Builders Adhesive compliant with AS4364-2010.
2. Special care is to be taken to ensure no over cutting of the I-Joist or the web stiffening inserts.
3. Continuous blocking required to be fitted to the inside of the box gutter notch and over the support

Values and design checked by Tingmore Structures (EC-36321)